

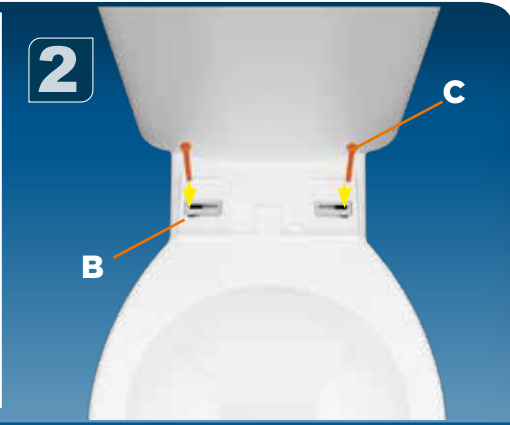
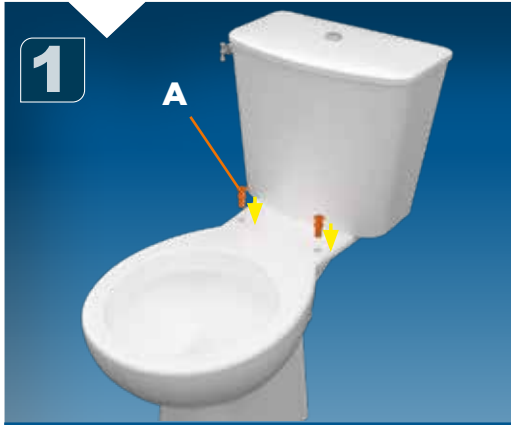
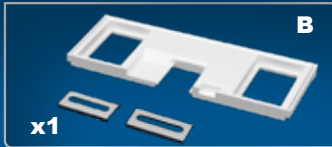
VISSANISEAT+
11.23

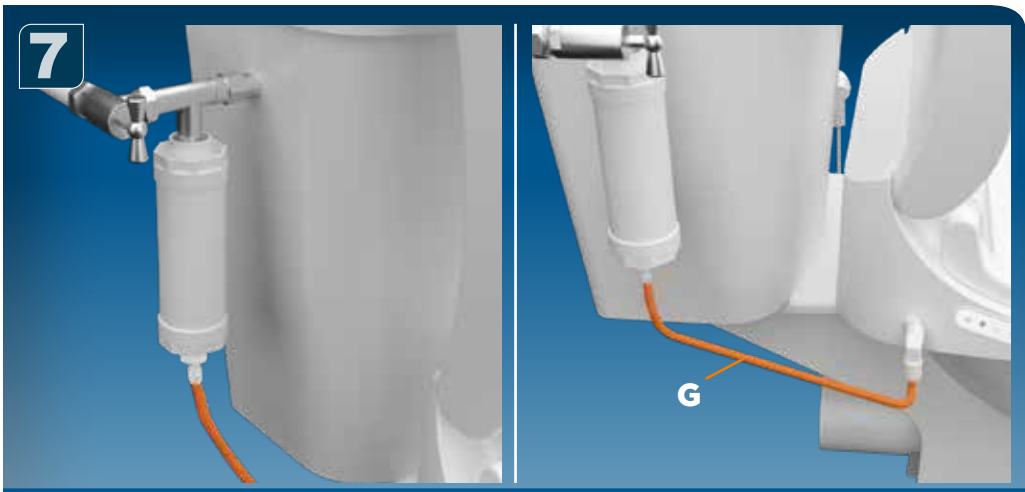
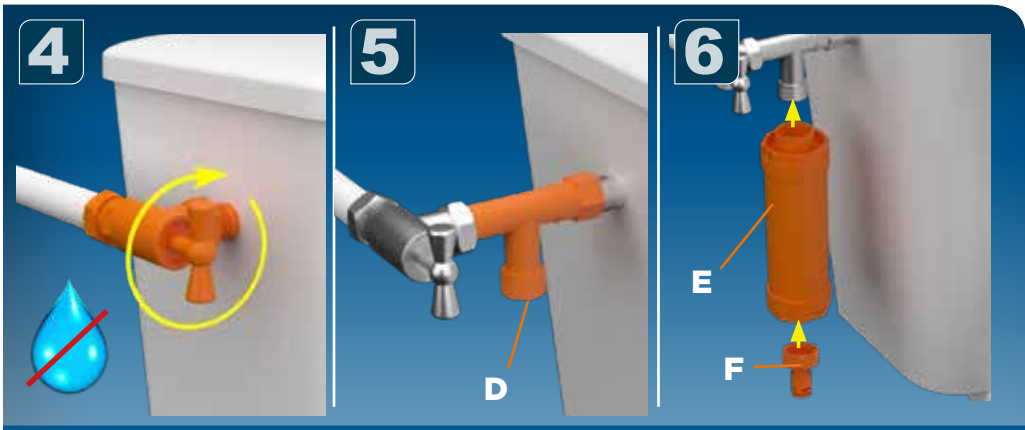
Saniseat+

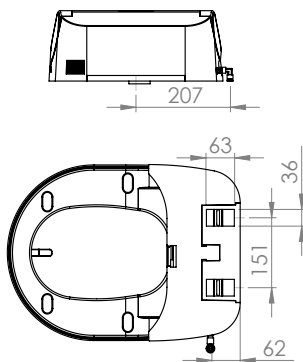
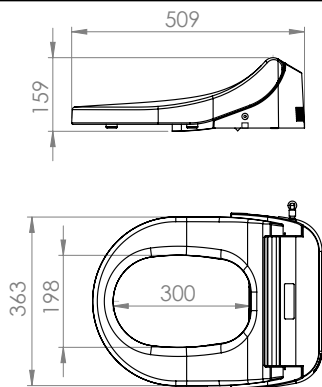


- FR NOTICE D'INSTALLATION
- UK INSTALLATION INSTRUCTIONS
- DE INSTALLATIONSHINWEISE
- IT STRUZIONI PER L'INSTALLAZIONE
- NL INSTALLATIE VOORSCHRIFTEN









Saniseat+

AC 220-240V
50Hz - 1200W -
IPX4 -
TYPE: TB-370 ZD

SERVICE HELPLINES

France
Tel. 01 44 82 25 55
Fax. 03 44 94 46 19

United Kingdom
Tel. 08457 650011 (Call from a
land line)
Fax. 020 8842 1671

Ireland
Tel. 1850 23 24 25 (LOW CALL)
Fax. + 353 46 97 35 093

Australia
Tel. +13 00 554 779
Fax. +61 2 9882 6950

Deutschland
Tel. 0800 82 27 82 0
Fax. (060 74) 30928-90

Italia
Tel. 0382 6181
Fax. +39 0382 618200

España
Tel. +34 93 544 60 76
Fax. +34 93 462 18 96

Portugal
Tel. +135 21 911 27 85
Fax. +35 21 957 70 00

Suisse Schweiz Svizzera
Tel. +41 (0)32 631 04 74
Fax. +41 (0)32 631 04 75

Benelux
Tel. +31 475 487100
Fax. +31 475 486515

Sverige
Tel. +08-404 15 30

Norge
Tel. +08-404 15 30

Polska
Tel. (+4822) 732 00 33
Fax. (+4822) 751 55 16

Россия
Tel. (495) 258 29 51
Fax. (495) 258 29 51

Česká Republika
Tel. +420 266 712 855
Fax. +420 266 712 856

România
Tel. +40 724 364 543
service@sanifit.ro

Türkiye
Tel. +90 212 275 30 88
Fax. +90 212 275 90 58

Brazil
Tel. (11) 3052-2292

中国
Tel. +86(0)21 6218 8969
Fax. +86(0)21 6218 8970

South Africa
Tel. +27 (0) 21 286 00 28

Service information : www.sfa.biz

